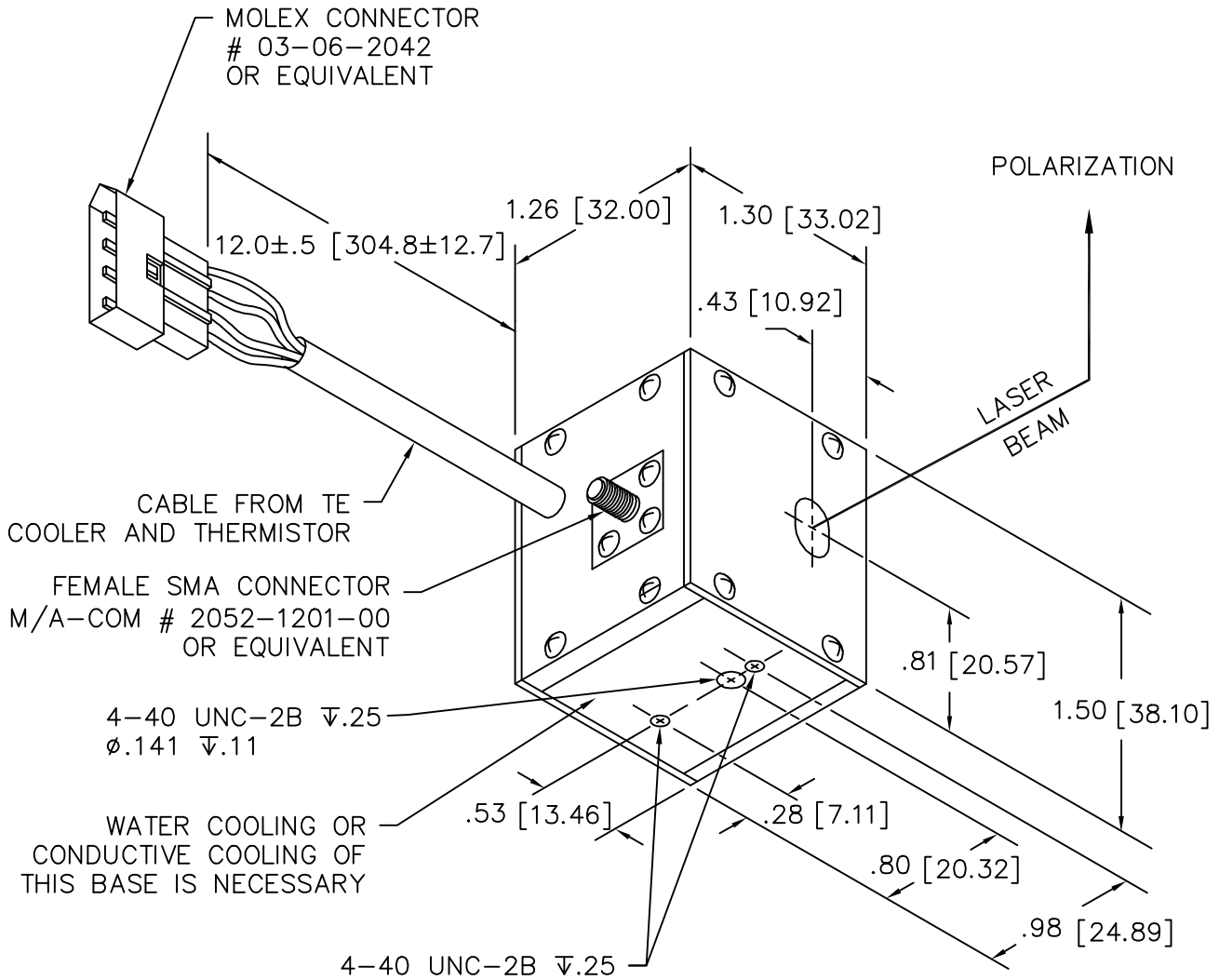


APPLICATION		REVISIONS			
NEXT ASSY	USED ON	REV.	DESCRIPTION	CHNG / DATE	APVD / DATE
		H	CHANGE PER ECO 58A15082	CR 2/04/03	PS 2/7/03



MATERIAL

UNLESS OTHERWISE SPECIFIED DIMENSIONS ARE IN INCHES DIMENSIONS AND VALUES IN BRACKETS ARE METRIC TOLERANCES ARE:
 DECIMALS: INCHES: MILLIMETERS:
 .XX ±.01 [±.25]
 .XXX ±.005 [±.127]
 ANGLES: ±.5°
 SURFACE ROUGHNESS: 63/
 REMOVE ALL BURRS AND SHARP EDGES
 DIM. AND SURFACE ROUGHNESS APPLY AFTER COATING

APPROVALS	DATE
DRAWN BY: A. ARMISTEAD	1/25/89
CHECKED BY:	
ENGINEERING:	
APPROVED: CMC	7/28/98

FINISH

NEOS
A Gooch and Housego Company

4300-C FORTUNE PLACE
MELBOURNE, FL 32904
(321)676-9020
FAX: (321)722-4499

TITLE
OUTLINE DRAWING, 120XX-TE

SIZE A	DWG NO. 53A02198	REV. H
SCALE NONE	FILE 53A02198H	SHEET 1 OF 1