

## Fiber-Q®

### 2000 nm Fiber Coupled Acousto-Optic Modulator

T-M250-0.3C16Z-3-F2P

The Fiber-Q® acousto-optic modulator is designed for use in pulsed fiber laser amplifier systems and as a pulse picker for short pulse, high rep rate fiber lasers.

Gooch & Housego specialize in providing optical components for high power fiber laser and amplifier systems. In-house control of critical manufacturing processes; from crystalline material selection and orientation, cutting, polishing and anti-reflection coating through to fiber coupling, ensure our components are of the highest optical quality.

In addition to the standard product shown, custom configurations are available for specialized applications.



#### Key Features

- Low insertion loss
- Compact low profile package
- Rugged hermetic design
- Stable performance
- Custom configurations available

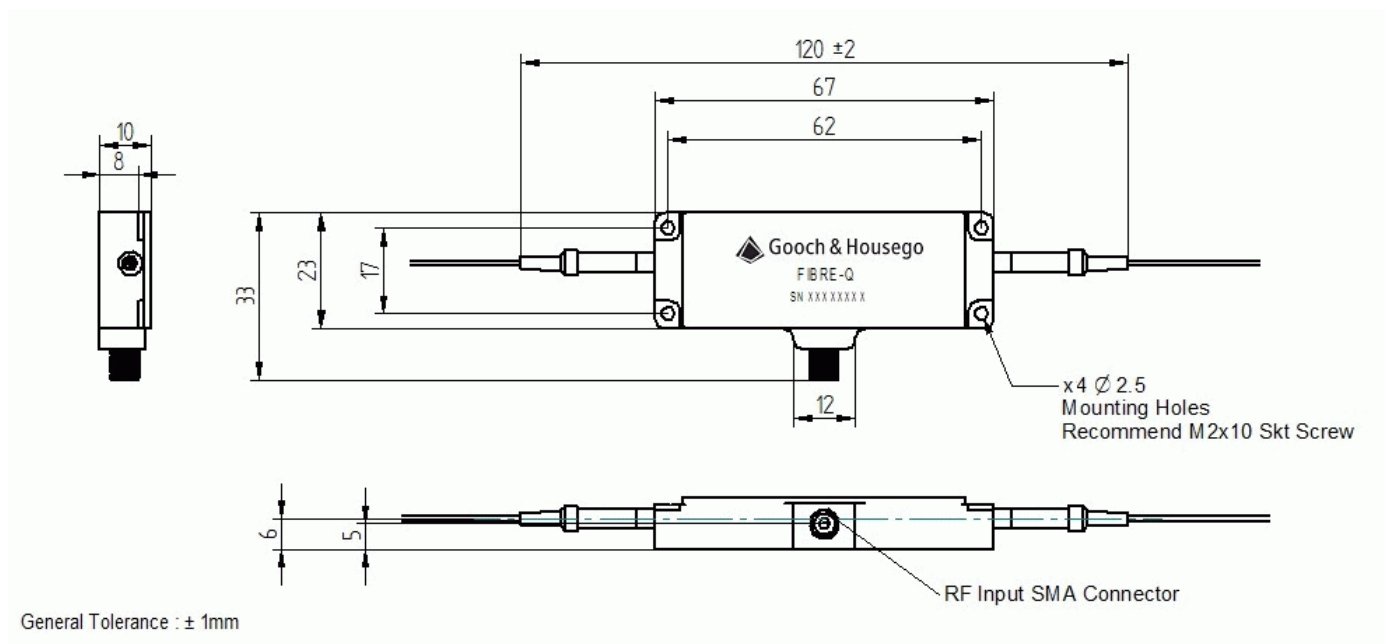
#### Applications

- Fiber laser
- Pulse picker
- Optical sensing

2000 NM FIBER COUPLED ACOUSTO-OPTIC MODULATOR

## General Specifications

Parameter	Min	Max	Typical	Comments
Interaction material	-	-	-	Silicon
Wavelength	-	-	2000 nm	
Average optical power handling	-	1 W	-	
Peak optical power handling	-	1 kW	-	Dependent on pulse width
Insertion loss	-	4 dB	-	
Polarization extinction ratio	15 dB	-	-	
Extinction ratio	50 dB	-	-	
Return loss (RF ON/RF OFF)	40 dB	-	-	
Rise-time/fall-time: (10% - 90%)	-	20 ns	-	
Frequency	-	-	250 MHz	
VSWR	-	1.5:1	-	
Input impedance	-	-	50 $\Omega$	
Peak RF power	-	6 W	-	Max duty cycle 10% Max pulse-length 1 $\mu$ s
Fiber type	-	-	-	Nufern PM-GDF-10/130-2000-M (slow axis propagation) or equivalent
Fiber length	1.5 m	-	-	900 $\mu$ m PVDF sleeving
Fiber termination	-	-	-	Bare fiber



### Other products which may be of interest

- HI REL couplers
- High power multimode combiners
- Combiners with all types of signal feedthrough fiber
- Ultra-low ratio tap couplers
- WDMs for combining signals with red pointer lasers
- OCT wideband couplers