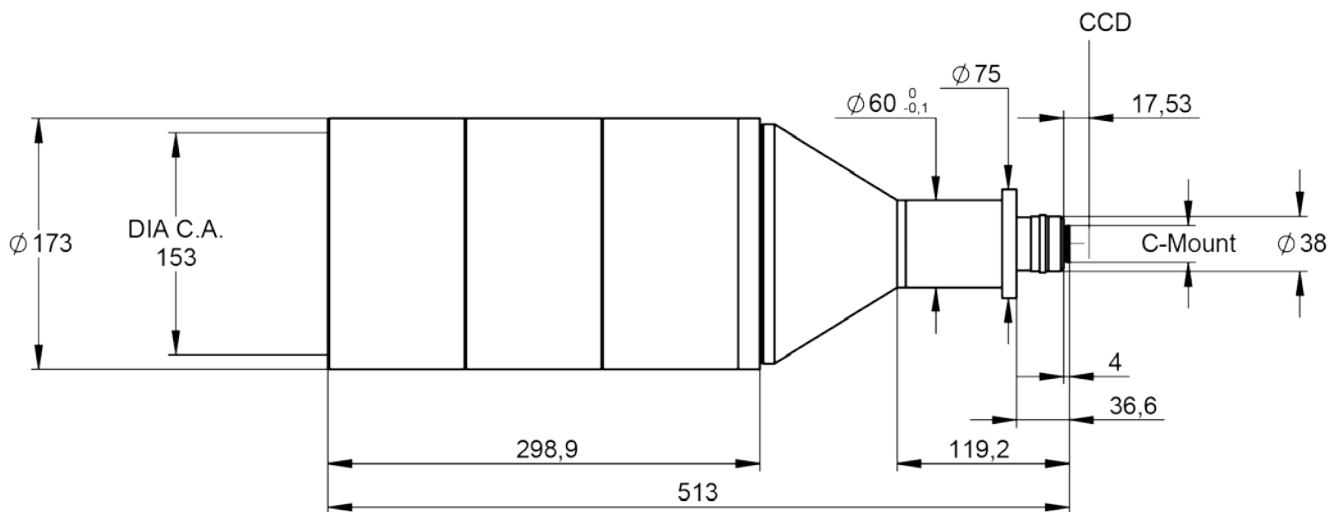


## S5LPJ1824 Correctal® T150/0.056

- telecentric lens
- with c-mount
- with variable iris



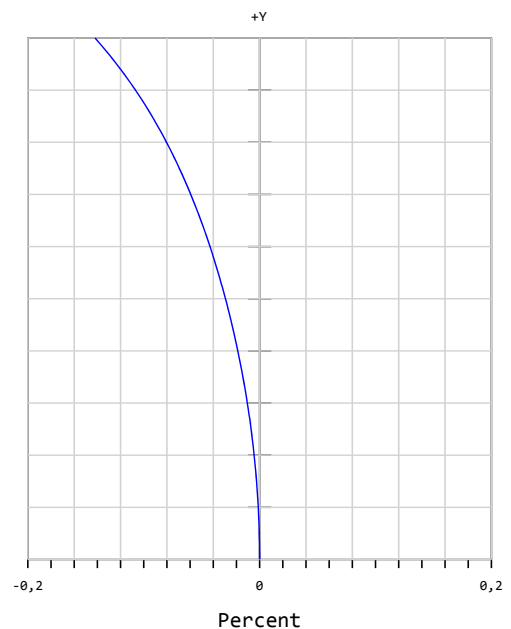
# DATA SHEET



## specifications

article number	S5LPJ1824
design wavelength [nm]	450-700
magnification (+/-5%)	0.056
working distance [mm] (+/-2%)	300.0
object size [mm]	85.7 x 64.2
at a chip size of [mm]	4.8 x 3.6 (1/3")
distortion [%]	0.07
object size [mm]	114.2 x 85.7
at a chip size of [mm]	6.4 x 4.8 (1/2")
distortion [%]	0.15
object size [mm]	---
at a chip size of [mm]	7.2 x 5.3 (1/1.8")
distortion [%]	---
max. telecentricity error [°]	< 0.01
numerical aperture	0.005
weight [kg]	7.70
flange back distance [mm]	17.53
accessory	S5SET0020, S5SET1830

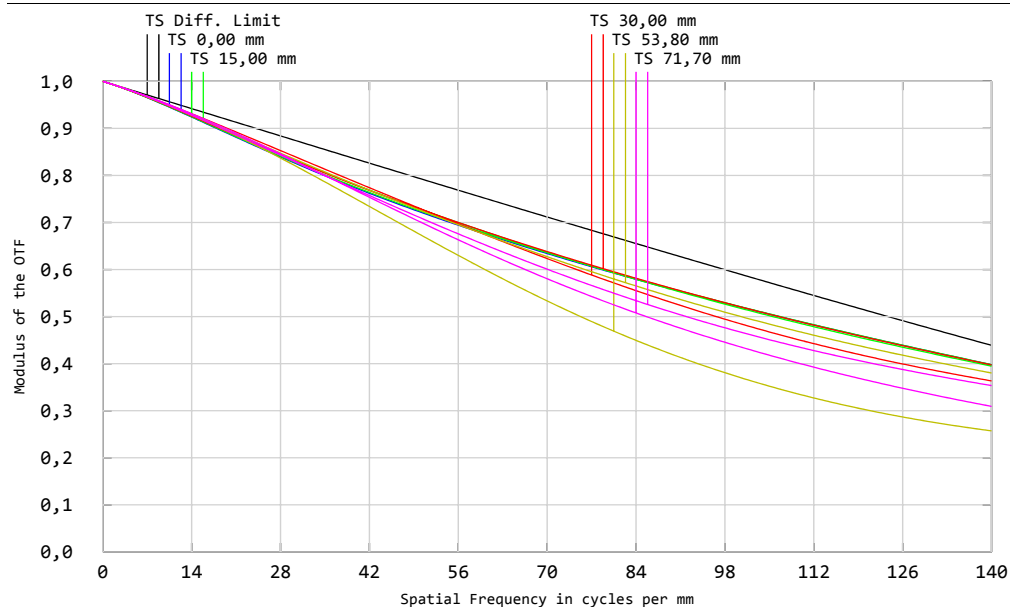
## Distortion for 586 nm



x = distortion

y = max. field

## MTF for various object heights at 586 nm



T. tangential

S. sagittal

replacement for S5LPJ1825  
graphs and data given by design.